



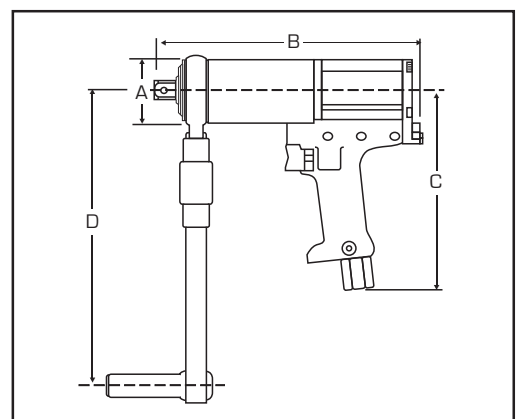
Torque capacities from 90 to 2000 Nm

Repeatable accuracy of +/- 5%

Choice of 5 models

The PG pistol grip pneumatic torque multiplier range is designed to provide smooth bolt tightening without impacting or pulsing. Offering a repeatable torque accuracy of +/- 5% these low noise level tools reduce operator fatigue, increase safety and ensure fast, accurate tightening of bolted components. Incorporating a powerful, reversible air motor suitable for tightening and loosening operations, the non-impacting design of the planetary gears ensures minimum wear to sockets and bolted components. All models are supplied complete with an airline pressure and lubrication control unit in a handy carrying frame and a 3 metre length connecting hose. Accurate preset torque can easily be achieved by adjusting the airline input pressure in conjunction with the calibration graph supplied with each tool. Air consumption is 11 litres per second from a standard airline pressure of 5 bar (23 cubic feet per minute @ 70 PSI).

- >> Slim 72mm diameter gear box allows excellent access
- >> Sensitive trigger control allows for easy reaction plate positioning
- >> Smooth, quiet, non-impacting design with reversible air motor
- >> Wide range of attachments and accessories available
- >> Two speed models available on request



Model number	Torque capacity Nm	lbf.ft	Square drive size	R.P.M. at max pressure	Weight kg
PG500	90-500	66-370	3/4"	35	8.1
PG1075	190-1000	140-740	3/4"	15	8.1
PG1000	190-1000	140-740	1"	15	8.1
PG1500	300-1500	220-1100	1"	9	8.1
PG2000	400-2000	300-1450	1"	6	8.1

Dimensions in mm			
A	B	C	D
72	301	223	334
72	301	223	334
72	301	223	334
72	301	223	334
72	301	223	334



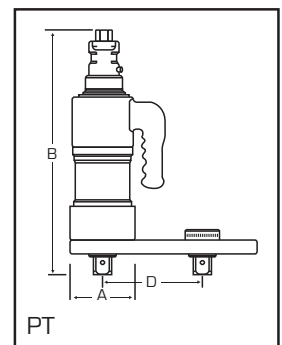
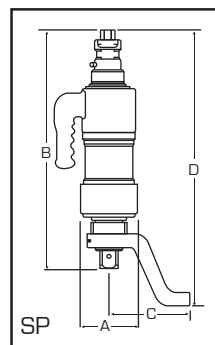
Torque capacities up to 47000 Nm

Smooth, quiet, non-impacting design

Repeatable accuracy of +/- 5%

The SP & PT pneumatic torque multiplier range offers a choice of 10 models, suitable for almost every bolting application and are supplied with an airline pressure and lubrication control unit. Maximum torque output capacities range from 680 to 47000 Nm with a choice of square drives from 3/4" to 2 1/2". As with all Hi-Force pneumatic torque multipliers a repeatable, accurate torque of +/- 5% can be easily achieved using the calibration graph supplied with each tool. Both SP models are designed with a reduced body diameter, particularly suited where a limitation of space exists and are fitted with an adjustable spline type reaction foot which allows for use with various length sockets. The PT models are supplied with a flat type reaction plate, with the exception of the PT6000 and PT9500 which incorporate a box type reaction foot. Optional special designed reaction plates can be supplied on request. The smooth and continuous torque output of Hi-Force pneumatic torque multipliers make them suitable for a wide range of bolting applications including wheel nuts on trucks and large machinery, structural steelwork, high pressure joints e.g. pipelines, boiler feed pumps and pressure vessels, heat exchangers and many other applications.

- >> Powerful reversible air motor with safety trigger
- >> Adjustable spline type reaction foot (SP models only)
- >> Wide range of attachments and accessories available
- >> Two speed models available on request



Model number	Torque capacity		Square drive size	R.P.M. at max pressure	Weight kg
	Nm	lbf.ft			
SP2700	880-2700	650-2000	1"	5.0	16.5
SP5500	1200-5500	885-4060	1 1/2"	2.5	21.9
PT680 - 3/4	160-680	120-500	3/4"	30.0	12.8
PT680 - 1	160-680	120-500	1"	30.0	12.8
PT1200	270-1200	200-900	1"	15.0	13.3
PT1700	515-1700	380-1250	1"	9.0	13.3
PT3400	880-3400	650-2500	1"	5.0	16.5
PT6000	1762-6000	1300-4500	1 1/2"	2.5	26.0
PT9500	2710-9500	2000-7000	1 1/2"	1.8	32.7
PT17000	4400-17000	3250-12500	2 1/2"	1.2	51.9
PT47000	13550-47000	10000-35000	2 1/2"	0.3	109.1

Dimensions in mm				
A	B	C	D min	D max
108	437	140	469	498
119	512	172	566	592
108	368	-	83	217
108	368	-	83	217
108	373	-	83	217
108	373	-	83	217
119	423	-	86	264
144	457	-	146	333
184	452	-	169	351
212	546	-	500	
315	629	-	Blank plate	