

HT & SLT - MANUAL TORQUE MULTIPLIERS



Torque capacities from 1300 to 6000 Nm

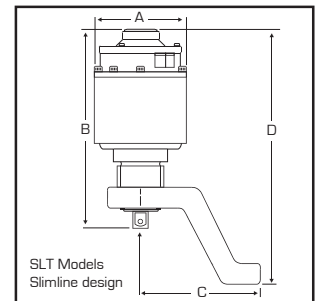
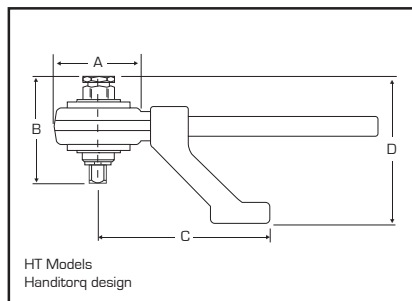
Choice of two different designs

Supplied complete with reaction foot

Hi-Force Handitorq (HT range) manual torque multipliers provide a true 5:1 torque multiplication with repeatable accuracy of +/- 4%. A choice of two models, with output torque capacities of 1300 Nm and 2700 Nm available, each supplied with two different reaction bar designs for maximum versatility. Supplied in a handy plastic storage case the Handitorq series multiplier is ideal for inclusion in the heavy vehicle tool kit.

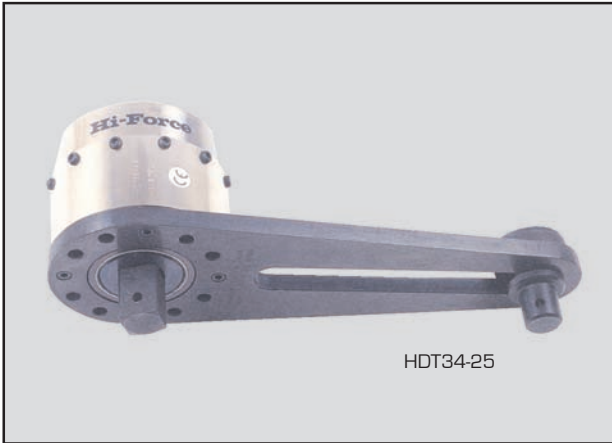
Hi-Force Slimline (SLT range) manual torque multipliers offer comparable output torque capacities to standard diameter torque multipliers but with the added advantage of a slimline body design, particularly suited for bolt tightening applications on pipeline flanges. The range offers 5 models all with an adjustable spline type reaction foot which allows for various lengths of sockets to be used. All models have an anti-wind up ratchet fitted as standard, which retains all of the wind-up forces as they are created, providing a greater level of safety and ease of operation. Output torque capacities range from 2000 Nm to 6000 Nm with multiplication ratios of 15:1, 25:1 and 75:1 available. Recommended Hi-Force torque wrenches for use with Hi-Force manual torque multipliers are detailed on page 76 of this catalogue.

- >> Compact with true torque multiplication
- >> Output square drives from 3/4" to 1 1/2"
- >> Anti-wind up ratchet on all SLT models



Model number	Maximum torque capacity		Multi- plication ratio	Input square drive	Output square drive	Recom. torque wrench	Weight kg
	Nm	lbf.ft					
HT1300	1300	960	5:1	1/2"	3/4"	HTW330R	7.1
HT2700	2700	2000	5:1	3/4"	1"	HTW800B	7.1
SLT20-25	2000	1450	25:1	1/2"	1"	HTW200R	4.5
SLT30-15	3000	2200	15:1	1/2"	1"	HTW200R	9.0
SLT30-25	3000	2200	25:1	1/2"	1"	HTW200R	9.0
SLT60-25	6000	4400	25:1	1/2"	1 1/2"	HTW330R	15.0
SLT60-75	6000	4400	75:1	1/2"	1 1/2"	HTW200R	16.5

Dimensions in mm			
A	B	C	D
108	126	210	180
108	129	210	186
72	166	143	197
108	224	141	256-285
108	224	141	256-285
119	271	172	320-350
119	301	154	350-380

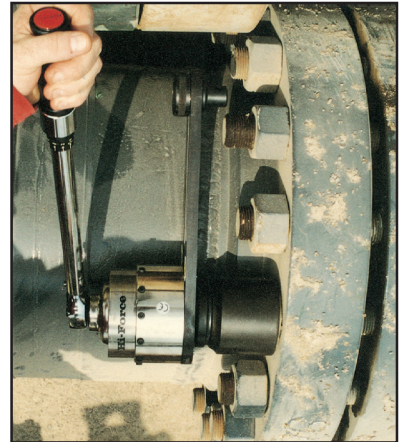


Torque capacities from 1700 to 9500 Nm

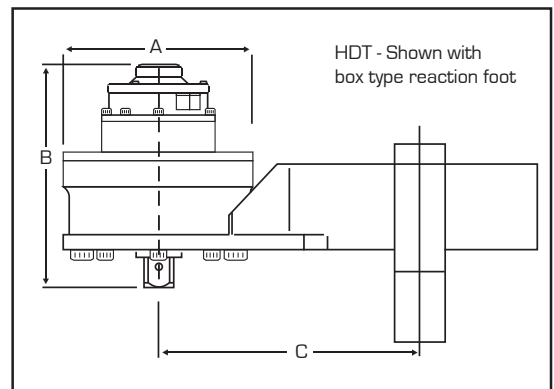
Heavy duty design

Supplied complete with reaction foot

The Hi-Force HDT range of heavy duty manual torque multipliers are available in a choice of 6 models with output capacities from 1700 to 9500 Nm and multiplication ratios of 25:1 and 125:1. All models are fitted as standard with an anti-wind up ratchet, retaining all of the wind-up forces as they are created, providing a greater level of safety and ease of operation. Models HDT17-25 and HDT34-25 are fitted as standard with a flat type reaction foot as pictured above. All other models feature a box type reaction foot as per the detailed dimensional drawing (shown below). Flat, modified or special reaction plates can be designed and supplied on request.



See page 76 for detailed specifications of the recommended Hi-Force manual torque wrenches for use with HDT multipliers.



- >> Compact with true torque multiplication
- >> Output square drives from 1" to 1½"
- >> Anti-wind up ratchet on all models

Model number	Maximum torque capacity Nm	Maximum torque capacity lbf.ft	Multiplication ratio	Input square drive	Output square drive	Recom. torque wrench	Weight kg
HDT17-25	1700	1250	25:1	½"	1"	HTW200R	7.8
HDT34-25	3400	2500	25:1	½"	1"	HTW200R	10.1
HDT60-25	6000	4400	25:1	½"	1½"	HTW330R	17.0
HDT60-125	6000	4400	125:1	½"	1½"	HTW200R	18.5
HDT95-25	9500	7000	25:1	¾"	1½"	HTW400R	25.7
HDT95-125	9500	7000	125:1	½"	1½"	HTW200R	27.2

Dimensions in mm		
A	B	C
108	156	83-217
119	187	86-264
144	226	146-333
144	240	146-333
184	209	171-351
184	234	171-351