

Tube rolling motors



FREE SPEED



TORQUE
MINIMUM



TORQUE
MAXIMUM



TUBE
CAPACITY



THROTTLE
TYPE



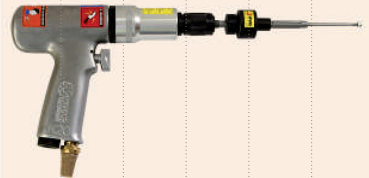
CLUTCH

FREE SPEED	TORQUE MINIMUM	TORQUE MAXIMUM	TUBE CAPACITY	THROTTLE TYPE	CLUTCH



K20-550

550 Rpm	0,226 Nm	8,47 Nm	1/2 inch	Trigger	Full Auto



K20-1800

1800 Rpm	0,226 Nm	3,05 Nm	3/8 inch	Trigger	Full Auto

K20-2500

2500 Rpm	0,226 Nm	0,9 Nm	1/4 inch	Trigger	Full Auto



Auto-K50-1250-Flex

1250 Rpm	1,58 Nm	2,2 Nm	3/4 inch	Push & Pull	Full Auto

FREE SPEED	TORQUE MINIMUM	TORQUE MAXIMUM	TUBE CAPACITY	THROTTLE TYPE	CLUTCH



K50-1250

1250 Rpm	1,58 Nm	12,2 Nm	3/4 inch	Push & Pull	Auto

K50-600

485 Rpm	2,4 Nm	21,81 Nm	1 inch	Push & Pull	Auto

K50-400

400 Rpm	5 Nm	36 Nm	1-1/4 inch	Push & Pull	Auto

K50-200

200 Rpm	10 Nm	72 Nm	1-1/2 inch	Push & Pull	Auto

Auto-K50-600-Flex

485 Rpm	2,4 Nm	21,81 Nm	1 inch	Push & Pull	Full Auto

Auto-K50-400-Flex

400 Rpm	5 Nm	36 Nm	1-1/4 inch	Push & Pull	Full Auto

FREE SPEED	TORQUE MINIMUM	TORQUE MAXIMUM	TUBE CAPACITY	THROTTLE TYPE	CLUTCH



Auto-L70-1200

1100 Rpm	12 Nm	30 Nm	1-1/8 inch	Lever Type	Full Auto

Auto-L70-900

880 Rpm	15 Nm	45 Nm	1-1/2 inch	Lever Type	Full Auto

Auto-L70-500

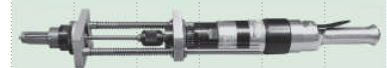
500 Rpm	25 Nm	90 Nm	1-3/4 inch	Lever Type	Full Auto

Auto-L70-375

375 Rpm	30 Nm	105 Nm	2 inch	Lever Type	Full Auto

Auto-L70-250

200 Rpm	70 Nm	150 Nm	2-1/4 inch	Lever Type	Full Auto



Auto-L70-1200-Flex

1100 Rpm	12 Nm	30 Nm	1-1/8 inch	Lever Type	Full Auto

Auto-L70-900-Flex

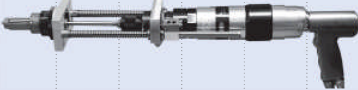

880 Rpm	15 Nm	45 Nm	1-1/2 inch	Lever Type	Full Auto



Auto-L70-500-Flex




500 Rpm	25 Nm	90 Nm	1-3/4 inch	Lever Type	Full Auto

Pneumatic rolling motors

Пневматические роликовые моторы

Rpm	Min	Max		Air	
FREE SPEED	TORQUE MINIMUM	TORQUE MAXIMUM	TUBE CAPACITY	THROTTLE TYPE	CLUTCH
					
Auto-P70-1200-Flex					
Rpm	Min	Max		Air	
1100 Rpm	12 Nm	30 Nm	1-1/8 inch	Lever Type	Full Auto
Auto-P70-900-Flex					
Rpm	Min	Max		Air	
880 Rpm	15 Nm	45 Nm	1-1/2 inch	Lever Type	Full Auto
					
K73-Rt-190					
Rpm	Min	Max		Air	
190 Rpm	95 Nm	200 Nm	2,5 inch	Roll Type	Auto
K73-Rt-280					
Rpm	Min	Max		Air	
280 Rpm	60 Nm	140 Nm	2-1/4 inch	Roll Type	Auto
K73-Rt-375					
Rpm	Min	Max		Air	
375 Rpm	40 Nm	110 Nm	2 inch	Roll Type	Auto

Rpm	Min	Max		Air	
FREE SPEED	TORQUE MINIMUM	TORQUE MAXIMUM	TUBE CAPACITY	THROTTLE TYPE	CLUTCH
					
K73-Lt-190					
Rpm	Min	Max		Air	
190 Rpm	95 Nm	200 Nm	2,5 inch	Lever Type	Auto
K73-Lt-280					
Rpm	Min	Max		Air	
280 Rpm	60 Nm	140 Nm	2-1/4 inch	Lever Type	Auto
K73-Lt-375					
Rpm	Min	Max		Air	
375 Rpm	40 Nm	110 Nm	2 inch	Lever Type	Auto
					
K73-Lt-190-Stall					
Rpm	Min	Max		Air	
190 Rpm	200 Nm	2,5 inch	Lever Type	Non Torque Controlled	

Rpm	Min	Max		Air	
FREE SPEED	TORQUE MINIMUM	TORQUE MAXIMUM	TUBE CAPACITY	THROTTLE TYPE	CLUTCH
					
K72-Rt-90					
Rpm	Min	Max		Air	
90 Rpm	200 Nm	410 Nm	4 inch	Roll Type	Auto
					
K72-Lt-90					
Rpm	Min	Max		Air	
90 Rpm	200 Nm	410 Nm	4 inch	Lever Type	Auto
					
K72-Lt-90-Stall					
Rpm	Min	Max		Air	
90 Rpm	410 Nm	4 inch	Lever Type	Non Torque Controlled	

The all new FLEXPANDER is engineered to provide unmatched working range, ergonomics & safety in all configurations. The FLEXPANDER enables the operator to work with tube sheets from minimum 1.5 ft from the floor up to 8.2 ft; the total working range is 6.88 ft.

Three primary features set a new industry standard for achieving this large range. First: built in trapezoidal screw (jack screw) in the column enables the operator to adjust the column 1.64 ft up or down. Second: convertible "Z" arm, which increases the height for another 1.64 ft. Third: the main articulated arm has full three dimensional movement which has a 3.60 ft vertical range.



FLEXPANDER

The all new state of art tube rolling system has been developed to improve productivity and safety, while delivering unmatched performance and durability! We have engineered the safest tube rolling system on earth with unsurpassed productivity and value.

Electronic rolling systems

Electronic rolling systems



TES-700-M-BASIC

Controller ■ Rolling motor KS-SPY-550-1 ■ Up to 1" ■ 550 rpm



TES-700-M-STD-S

Controller ■ Footswitch ■ Rolling motor KS-SPY-550-1 ■ Up to 1" ■ 550 RPM



TES-700-M-STD-D

Controller ■ Footswitch ■ 4 Speed motor: KS-DUS-500-2 ■ Up to 2" ■ 110/190/350/590 Rpm ■ 1500 W



TES-700-M-DTS

Controller ■ Footswitch ■ 4 Speed motor: KS-DUS-500-2 ■ Up to 2" ■ 110/190/350/590 Rpm ■ 1500 W ■ Telescopic Shaft F-632-MT-3 ■ Trolley as option



TES-700-M-D-FLEX

Controller ■ Footswitch ■ 4 Speed motor: KS-DUS-500-2 ■ Up to 2" ■ 110/190/350/590 Rpm ■ 1500 W ■ Flexpander



TES-700-M-400V

400V controller ■ Footswitch ■ Motor D-542 – 400 V (120/195/360/680 RPM) or DSL-550 – 400V (20/40/80/160/700 RPM) ■ Telescopic Shaft F-632-MT-3 ■ Trolley or Flexpander (option)



KRAIS Tube Expanders

Poland, 55-106 Zawonia, Czachowo 15
tel. +48 71 312 05 96, fax +48 71 387 03 32

<http://www.krais.com>
email: expanders@krais.com